

# FC

for three phase alternating current, 8-8 pole

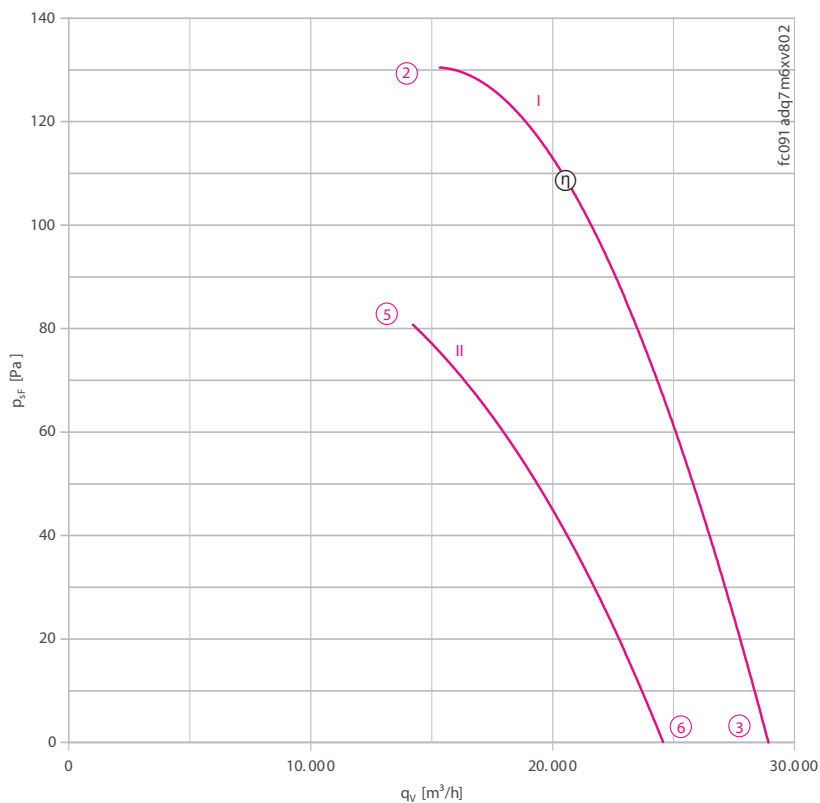
FC091-AD



## Description

Motor technology: AC  
 Rated voltage  $U_N$ : 3- 400 V ( $\Delta/Y$ )  $\pm 10$  %\*  
 Rated frequency  $f_N$ : 50 Hz\*  
 Motor input power  $P_1$ : 1.75/1.20 kW\*  
 Rated current  $I_N$ : 3.60/2.30 A\*  
 Rated speed  $n_N$ : 680/ 520 min<sup>-1</sup>\*  
 Starting current  $I_A$ : 14.00 A / 4.40 A  
 Current increase  $\Delta I$ : 10 %  
 Thermal class: **THCL155**\*  
 Min. permitted conveyor temperature  $t_{R(min)}$ : -40 °C  
 Max. permitted conveyor temperature  $t_{R(max)}$ : 60 °C  
 Electrical connection: Terminal box  
 Number of blades: 7  
 Protection class: IP54  
 Motor protection: Thermal contact  
 Blades: Aluminium, 1 coat paint, black  
 Rotor: Aluminium, 1 coat paint, black  
 Conformity: ErP 2013, CE  
**ErP Data**  
 Efficiency  $\eta_{statA}$ : 33.8 %  
 Efficiency:  $N_{actual} = 38.6 / N_{target} = 36$ \*\*  
 \* Rated data  
 \*\*ErP 2013

## Characteristic curve



Measured in full bell mouth without guard grille in installation type A according to ISO 5801.

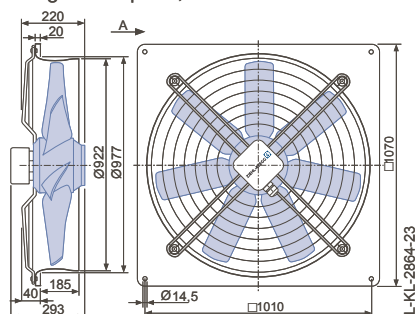
➤ Connection diagrams Page 608  
 for airflow direction V 1360-108XA  
 for airflow direction A 1360-108XB

➤ System components Page 524

## Dimensions [mm]

Airflow direction A

Design Q - square, full bell mouth


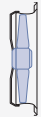


Performance data

Type	Connection	Characteristic curve	Voltage	Operating point	Current	Motor input power	Speed	Suction side sound power level
			U [V]		I [A]	P <sub>1</sub> [W]	n [min <sup>-1</sup> ]	L <sub>WA5</sub> [dB]
FC091-AD_7M_7	Δ	I	400*	②	3.40*	1750*	680*	83
			400	③	3.20	1500	690	84
	Y	II	400*	⑤	2.30*	1200*	520*	77
			400	⑥	1.95	1100	580	80

\*rated data

Fan ordering information

Airflow direction A		Airflow direction V	
Design	Q	Q	
			
Type	FC091-ADQ.7M.A7	FC091-ADQ.7M.V7	
Article no.	125012	120224	
Weight [kg]	58.60	63.10	

Control technology

<p>Frequency inverter Fcontrol 3~</p>  <p>➤ Page 558</p>	<p>Motor protection units 3~</p>  <p>➤ Page 596</p>	<p>Transformer-based controllers 3~</p>  <p>➤ Page 591</p>	<p>Electronic voltage controllers 3~</p>  <p>➤ Page 578</p>
--	---	--	---

Airflow direction V

Design Q - square, full bell mouth

